

Mod. X6512 - Series X6000 fittings

Product code: X6512 12-1/2

Datasheet creation date: 10/03/2025 09:20

Check the most updated document online [click here](#)

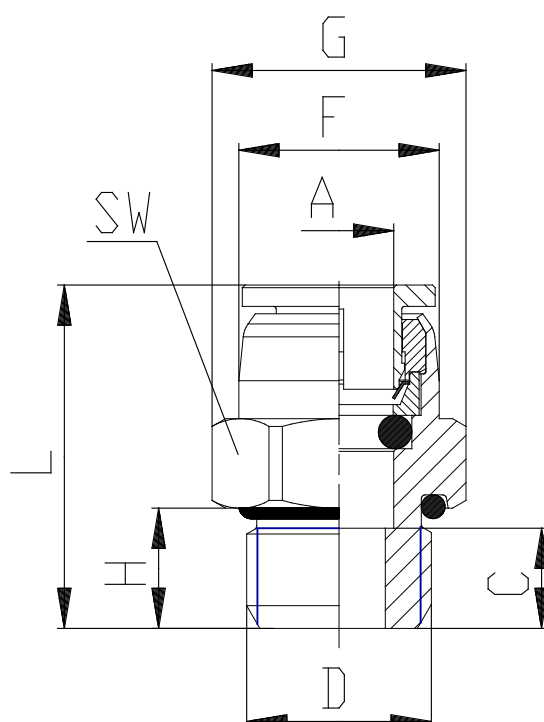


■ TECHNICAL DATA

Mod.	X6512 12-1/2
------	--------------

Mod. X6512 - Series X6000 fittings

Product code: X6512 12-1/2



DIMENSIONS

A (mm)	12
C (mm)	12.5
D (mm)	G1/2
F (mm)	20.0
H (mm)	9.5
L (mm)	31.5
SW (mm)	27
Weight (g)	71
package	10