

Mod. X6512 - Series X6000 fittings

Product code: X6512 12-1/4

Datasheet creation date: 10/03/2025 09:20

Check the most updated document online [click here](#)

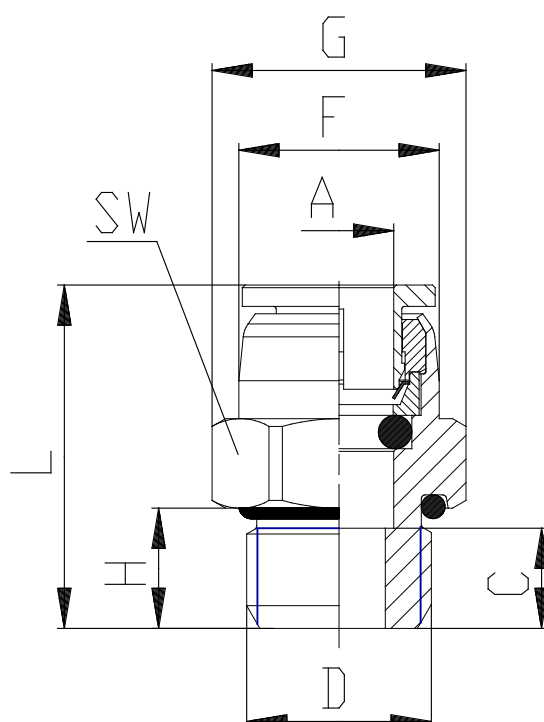


TECHNICAL DATA

Mod.	X6512 12-1/4
------	--------------

Mod. X6512 - Series X6000 fittings

Product code: X6512 12-1/4



DIMENSIONS

A (mm)	12
C (mm)	8.5
D (mm)	G1/4
F (mm)	20.0
H (mm)	6.0
L (mm)	27.5
SW (mm)	22
Weight (g)	40
package	10