

Mod. X6512 - Series X6000 fittings

Product code: X6512 4-M5

Datasheet creation date: 20/05/2026 09:27

Check the most updated document online [click here](#)

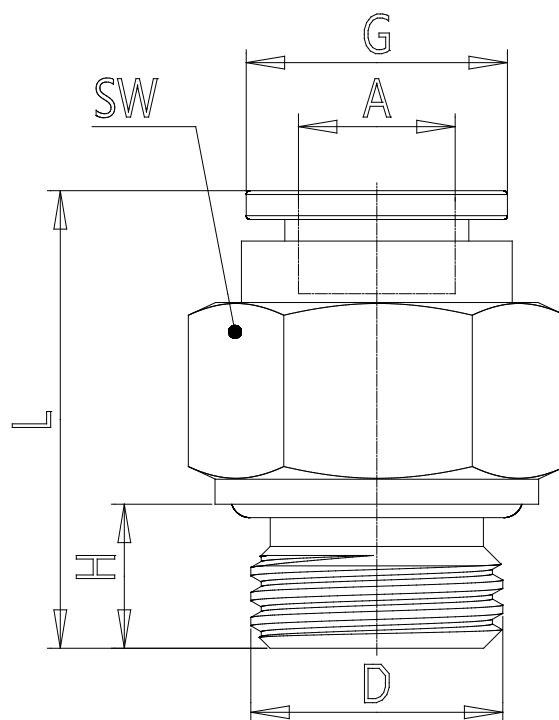


■ TECHNICAL DATA

Mod.	X6512 4-M5
------	------------

Mod. X6512 - Series X6000 fittings

Product code: X6512 4-M5



DIMENSIONS

A (mm)	4
D (mm)	M5
G (mm)	10.0
H (mm)	5.0
L (mm)	23.8
SW (mm)	11