

## Mod. X6512 - Series X6000 fittings

Product code: X6512 6-1/4

Datasheet creation date: 10/03/2025 09:20

Check the most updated document online [click here](#)

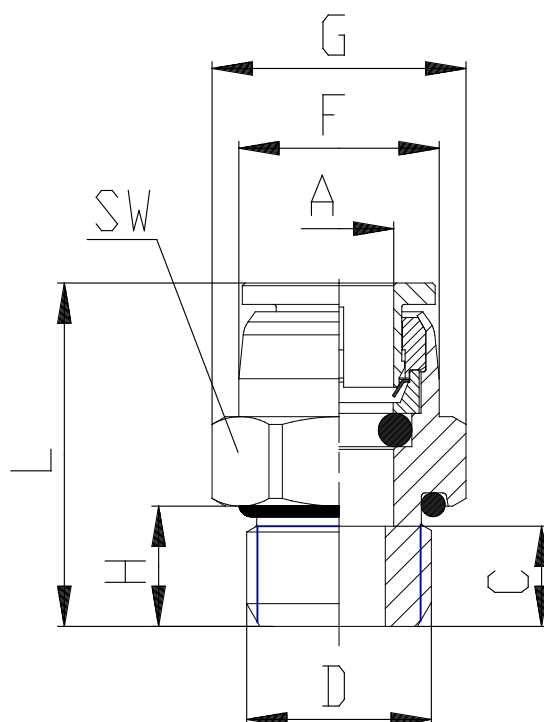


### TECHNICAL DATA

Mod.	X6512 6-1/4
------	-------------

## Mod. X6512 - Series X6000 fittings

Product code: X6512 6-1/4



### DIMENSIONS

<b>A (mm)</b>	6
<b>C (mm)</b>	6.5
<b>D (mm)</b>	G1/4
<b>F (mm)</b>	11.9
<b>H (mm)</b>	6.0
<b>L (mm)</b>	20.0
<b>SW (mm)</b>	17
<b>Weight (g)</b>	19
<b>package</b>	10