

Mod. X6512 - Series X6000 fittings

Product code: X6512 8-1/4

Datasheet creation date: 10/03/2025 09:20

Check the most updated document online [click here](#)

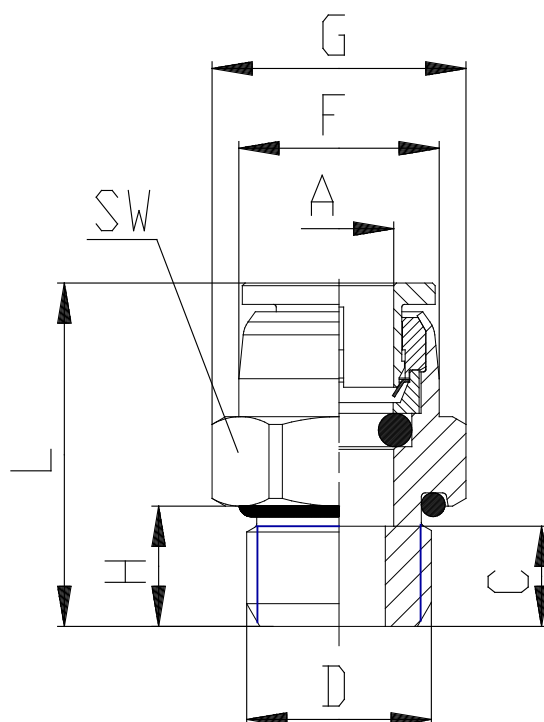


■ TECHNICAL DATA

Mod.	X6512 8-1/4
------	-------------

Mod. X6512 - Series X6000 fittings

Product code: X6512 8-1/4



DIMENSIONS

A (mm)	8
C (mm)	6.0
D (mm)	G1/4
F (mm)	15.0
H (mm)	6.0
L (mm)	22.1
SW (mm)	17
Weight (g)	21
package	10