

## Mod. X6522 - Series X6000 fittings

Product code: X6522 10-1/2

Datasheet creation date: 20/05/2026 08:18

Check the most updated document online [click here](#)

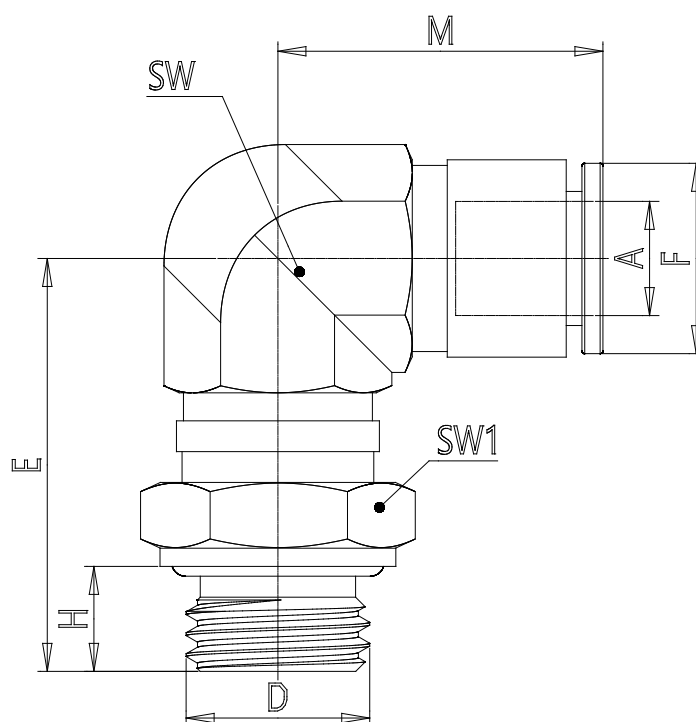


### TECHNICAL DATA

Mod.	X6522 10-1/2
------	--------------

## Mod. X6522 - Series X6000 fittings

Product code: X6522 10-1/2



### DIMENSIONS

<b>A (mm)</b>	10
<b>D</b>	G1/2
<b>E (mm)</b>	33.8
<b>F (mm)</b>	16.5
<b>H (mm)</b>	10.0
<b>M (mm)</b>	24.3
<b>SW (mm)</b>	16
<b>SW1 (mm)</b>	27