

Mod. X6522 - Series X6000 fittings

Product code: X6522 4-M5

Datasheet creation date: 20/05/2026 09:27

Check the most updated document online [click here](#)

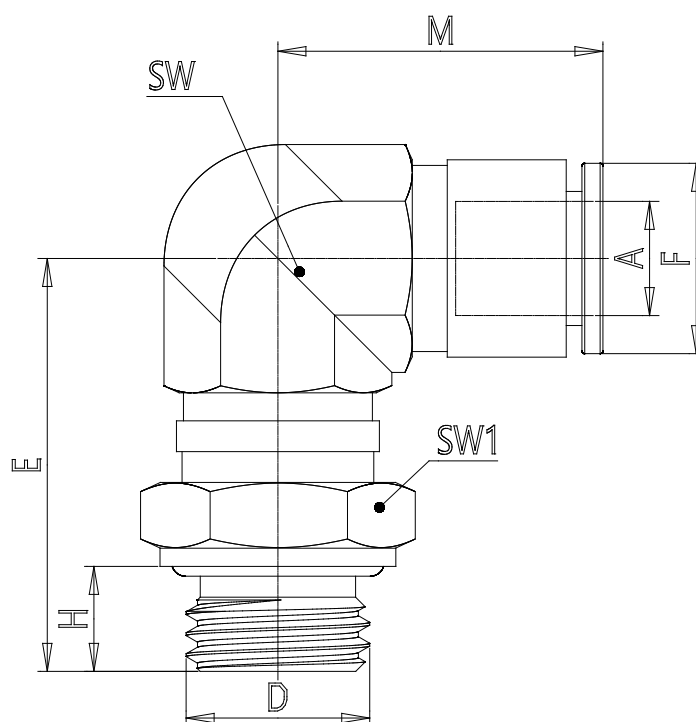


TECHNICAL DATA

Mod.	X6522 4-M5
------	------------

Mod. X6522 - Series X6000 fittings

Product code: X6522 4-M5



DIMENSIONS

A (mm)	4
D	M5
E (mm)	24.0
F (mm)	10.0
H (mm)	5.0
M (mm)	20.3
SW (mm)	10
SW1 (mm)	11