

Mod. X6590 - Series X6000 fittings

Product code: X6590 12

Datasheet creation date: 10/03/2025 09:22

Check the most updated document online [click here](#)

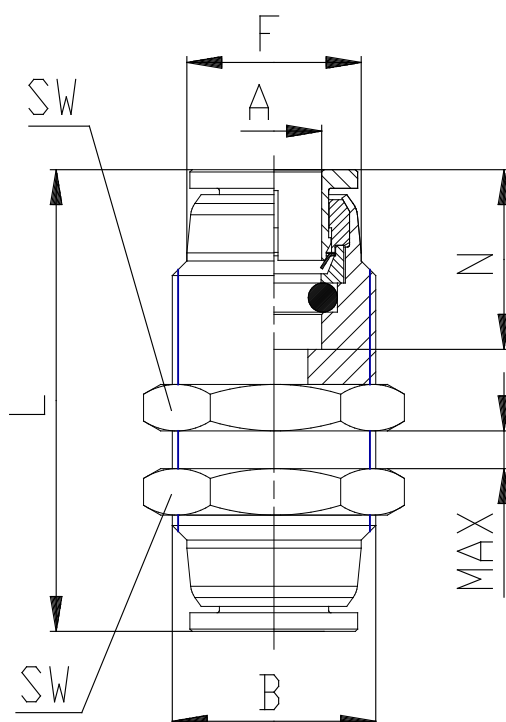


TECHNICAL DATA

Mod.	X6590 12
------	----------

Mod. X6590 - Series X6000 fittings

Product code: X6590 12



DIMENSIONS

A (mm)	12
B (mm)	M22X1
F (mm)	20.0
L (mm)	48.0
N (mm)	19.0
SW (mm)	27
Weight (g)	103
package	10