

Mod. X6590 - Series X6000 fittings

Product code: X6590 6

Datasheet creation date: 10/03/2025 09:22

Check the most updated document online [click here](#)

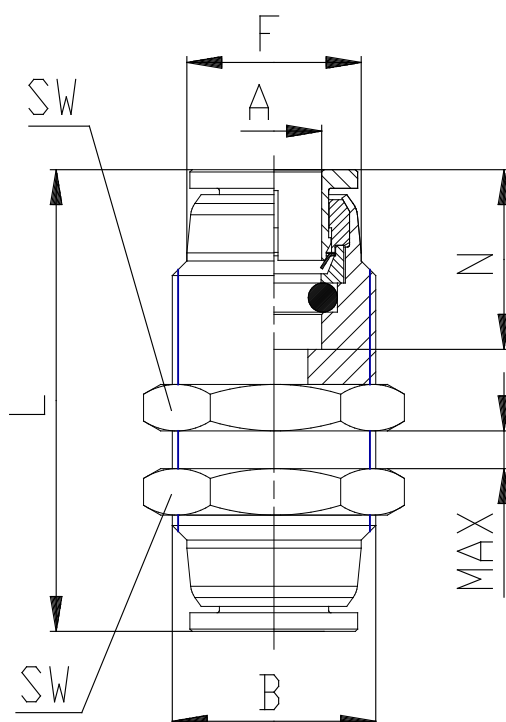


TECHNICAL DATA

Mod.	X6590 6
------	---------

Mod. X6590 - Series X6000 fittings

Product code: X6590 6



DIMENSIONS

A (mm)	6
B (mm)	M13X1
F (mm)	11.6
L (mm)	32.0
N (mm)	13.5
SW (mm)	16
Weight (g)	29
package	10