

Mod. X6812 - Series X6000 fittings

Product code: X6812 10-1/4

Datasheet creation date: 20/05/2026 08:18

Check the most updated document online [click here](#)

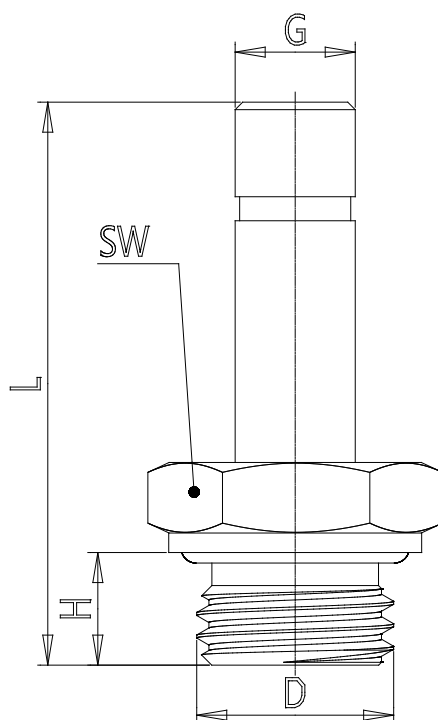


■ TECHNICAL DATA

Mod.	X6812 10-1/4
------	--------------

Mod. X6812 - Series X6000 fittings

Product code: X6812 10-1/4



DIMENSIONS

G (mm)	10
D (mm)	G1/4
H (mm)	7.5
L (mm)	38.8
SW (mm)	17