

Mod. X6812 - Series X6000 fittings

Product code: X6812 10-3/8

Datasheet creation date: 20/05/2026 08:18

Check the most updated document online [click here](#)

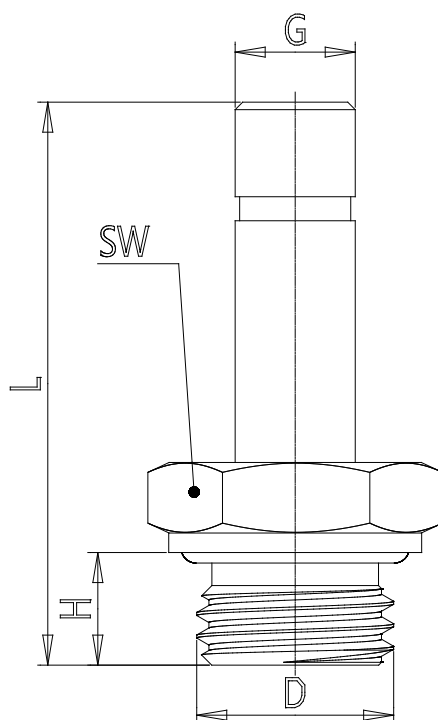


TECHNICAL DATA

Mod.	X6812 10-3/8
------	--------------

Mod. X6812 - Series X6000 fittings

Product code: X6812 10-3/8



DIMENSIONS

G (mm)	10
D (mm)	G3/8
H (mm)	7.5
L (mm)	39.3
SW (mm)	21