

## Mod. X6812 - Series X6000 fittings

Product code: X6812 6-1/4

Datasheet creation date: 20/05/2026 08:25

Check the most updated document online [click here](#)

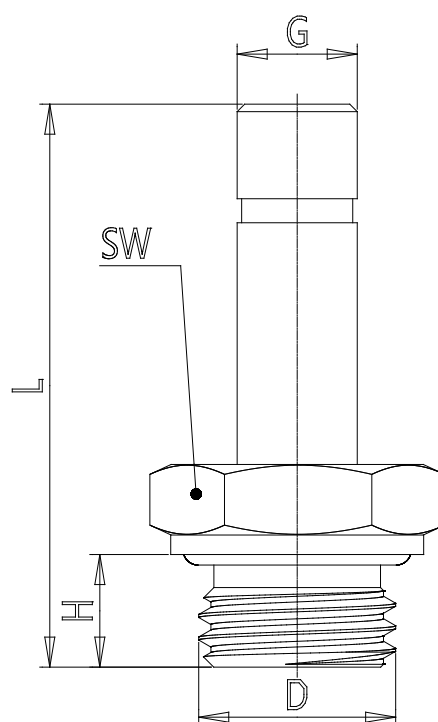


### ■ TECHNICAL DATA

|      |             |
|------|-------------|
| Mod. | X6812 6-1/4 |
|------|-------------|

## Mod. X6812 - Series X6000 fittings

Product code: X6812 6-1/4



### DIMENSIONS

|                |      |
|----------------|------|
| <b>G (mm)</b>  | 6    |
| <b>D (mm)</b>  | G1/4 |
| <b>H (mm)</b>  | 7.5  |
| <b>L (mm)</b>  | 37.8 |
| <b>SW (mm)</b> | 17   |