



**DECLARATION OF
PERFORMANCE OF THE
PRODUCT**

(type 2.2 EN 10204)

Code
86-4020-0002 rev.A

Pag. 1 di 2

The undersigned, representative of the following manufacturer

Camozzi spa

Via Eritrea, 20/l
25126 Brescia – Italy
Tel: +39 030 37921
Fax: +39 030 2400464
E-mail: info@camozzi.com
<http://www.camozzi.com>

We certify that the performance of Camozzi product:

Pneumatic crick cod: 60M2T125A620S01

detected in the test conditions explained in the page 2, are:

Load (N)	Pressure (bar)
5500	7

WARNING:

- The maximum pressure to use is: $P_{max} = 7bar$
- **Use external mechanical locks after the needed height is reached.**

Brescia, 28/01/09

CAMOZZI SPA

Camozzi Giovanni




**DECLARATION OF
PERFORMANCE OF THE
PRODUCT**

(type 2.2 EN 10204)

Code
86-4020-0002 rev.A

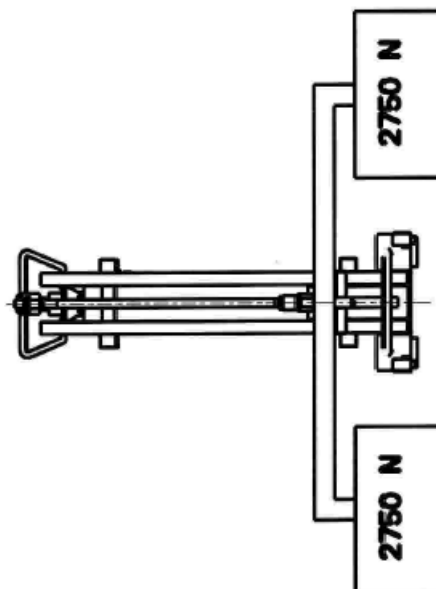
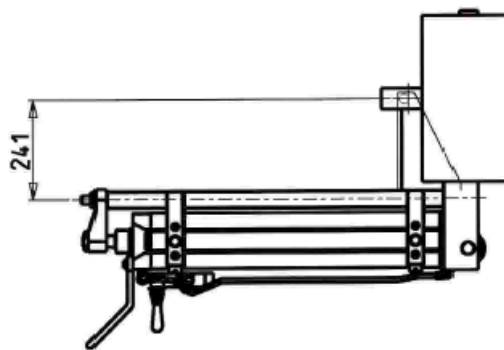
Pag. 2 di 2

 **ASSEMBLY FOR CRICK LIFTING**
LOAD 5500N

86-4020-0002

rev.A

(fog.2/2)



<i>Issued from</i> TECHNICAL OFFICE	<i>Date</i> 28-01-09	<i>Designer</i> N. Biondo	<i>Approve</i> G. Turrina
--	-------------------------	------------------------------	------------------------------